


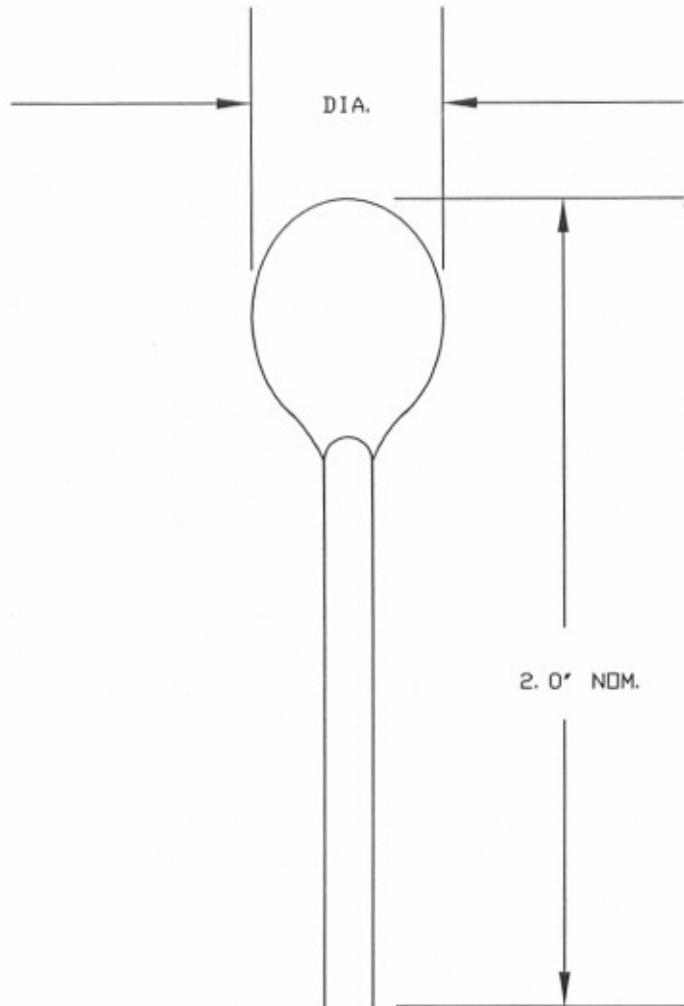
SPECIFICATIONS
RESISTANCE VALUE AND TOLERANCE: 2000 OHMS +/- 5%
OTHER ELECTRICAL CHARACTERISTICS: NTC=-3.9%/C @ 25C
LEADS: #28 AWG (.013) SOLDER PLATED COPPER QTI P/N: QT01001-013
HOUSING:
OTHER MECHANICAL SPECIFICATIONS: DIA=.095, EPOXY COATING
NOTES: DISSIPATION CONST=2mW/C MIN TIME CONSTANT=10 SEC. MAX

 Quality Thermistor, Inc. 2108 CENTURY WAY BOISE, ID 83709	DRAWING FILE NAME: QTMC28J.DWG
	ORIGINATOR: <i>Brendan Culver</i> DATE: 9/17/04
	ENGINEER: <i>[Signature]</i> DATE: 9/17/04
	MATERIALS: <i>[Signature]</i> DATE: 9/17/04
	QUALITY MGR.: <i>Suzanne Buchanan</i> DATE: 9-20-04
	PROD. MGR.: <i>RJB</i> DATE: 9-17-04


NO.	DATE	REVISION	APPROVAL
	9/17/04	A	BC
1	2/17/00	-	JK

DESCRIPTION: Y, 2000 OHM, 5%	QTI PART NUMBER: QTMC-28J	REV A
TOLERANCES: X=0.1" XX=0.02" XXX=0.001"	JOB NUMBER:	PAGE 1/1

THIS DRAWING AND THE INFORMATION IS THE PROPERTY OF QUALITY THERMISTOR AND ALL UNAUTHORIZED USE AND REPRODUCTION IS PROHIBITED



SPECIFICATIONS
RESISTANCE VALUE AND TOLERANCE: 2000 OHMS +/- 5%
OTHER ELECTRICAL CHARACTERISTICS: NTC=-3.9%/C @ 25C
LEADS: #28 AWG (.013) SOLDER PLATED COPPER QTI P/N: QTO1001-013
HOUSING:
OTHER MECHANICAL SPECIFICATIONS: DIA=.095, EPOXY COATING
NOTES: DISSIPATION CONST=2mW/C MIN TIME CONSTANT=10 SEC. MAX

 Quality Thermistor, Inc. 2108 CENTURY WAY BOISE, ID 83709	DRAWING FILE NAME: QTMC28J.DWG
	ORIGINATOR: <i>[Signature]</i> DATE: 9/17/04
	ENGINEER: <i>[Signature]</i> DATE: 9/17/04
	MATERIALS: <i>[Signature]</i> DATE: 9/17/04
	QUALITY MGR.: <i>[Signature]</i> DATE: 9-20-04
PROD. MGR.: <i>[Signature]</i> DATE: 9-17-04	

COPY

THIS DRAWING AND THE INFORMATION IS THE PROPERTY OF QUALITY THERMISTOR AND ALL UNAUTHORIZED USE AND REPRODUCTION IS PROHIBITED

NO.	DATE	REVISION	APPROVAL	DESCRIPTION:	QTI PART NUMBER:	REV
	9/17/04	A	BC	Y, 2000 OHM, 5%	QTMC-28J	A
1	2/17/00	-	JK			
				TOLERANCES: X=0.1" XX=0.02" XXX=0.001"	JOB NUMBER:	PAGE 1/1