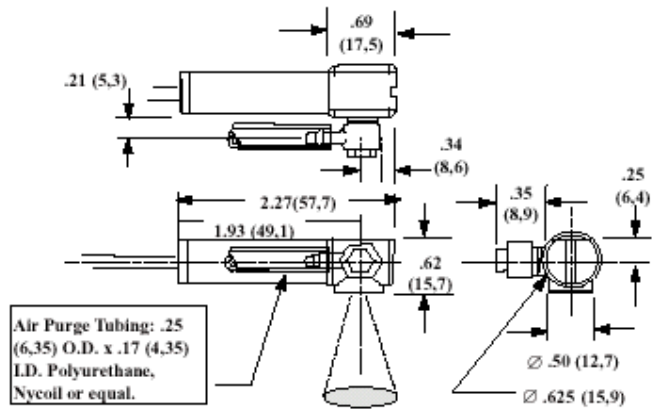


IRt/c.3SV



Sensing Range

-50 to 1200 °F (-45 to 650 °C)

Optimum Range Selections

Eight models per t/c type (see Temperature Selection Guide)

Field-of-View

3:1 (17°) approximately

Minimum Spot Size

0.2" (5 mm)

Spectral Response

6.5 to 14 μ

Output Impedance

4 to 8 Kohms approximately

Cable

Twisted shielded pair of base thermocouple material (J, K, etc.), 3 ft. (.9) m standard length, Teflon sheathed, rated to 392 °F (200 °C) continuous service.

Dimensions

2.27" x .50" Diameter (44.7 x 12.7 mm)

Weight

1.6 oz (44 g) with cable

Housing

Stainless steel, hermetically sealed, exceeds NEMA 4, 4x; IP65, 67, intrinsically safe, cable shield grounded to housing and electrically isolated from signal.

Air Purge

Built-in; designed for severe paint or ink environment; 3; (0.9 m) of tubing provided.

[Back to IRt/c Specifications](#)